

AE Bolted Molded Case Switch Enclosure

Explosionproof, Dust-Ignitionproof, Watertight

Class I, Division 1 and 2, Groups B, C, D
Class II, Division 1 and 2, Groups E, F, G
Class III
NEMA 4, 4X, 7BCD, 9EFG

Application

- Explosionproof molded case switch enclosures are used where hazardous materials are handled or stored.
- These units are used to disconnect circuits, control of lighting and power circuits.

Features

- Sand cast copper-free aluminum.
- Precision machined flamepath between box and cover.
- Bolt on stainless steel slotted mounting feet.
- Stainless steel hinges are standard.
- Stainless steel, captive quad-lead cover bolts are standard (disengaged in 1-1/2 turns).
- Ground lug package and installation instructions for termination of ground wire enclosed.
- External operating handle with stops for limiting handle travel.
- External stainless steel breaker operating handle on 400AF and above.
- Switch and operator shafts are stainless steel.
- Switch operators can be locked in the ON or OFF position (up to 3 padlocks).
- External flange maximizes internal space.
- Standard outlets top and bottom for line and load wiring.
- Plugged 1/2" outlets top and bottom for breather and drain.
- Switches mounted on a galvanized steel removable pan.
- Molded case switches are designed to accept 104 °F/40 °C standard circuit breakers. Square D [®] circuit breakers are supplied as standard. Especially calibrated 122 °F/50 °C and 131 °F/55 °C are available. Please consult factory
- O-ring gasket insures watertight integrity.

Standard Materials

- Bodies and covers: copper-free (4/10 of 1% max.) aluminum.
- Cover bolts: stainless steel.
- Hinges: stainless steel.
- O-Ring: neoprene.

Standard Finishes

- Bodies and covers: Grey powder coat inside and outside standard.

Compliances:

- UL Standard: 877
- CSA Certified: C22.2 No. 30
- Class I, Division 1 and 2, Groups B, C, D
- Class II, Division 1 and 2, Groups E, F, G
- Class III
- NEMA 4, 4X, 7BCD, 9EFG



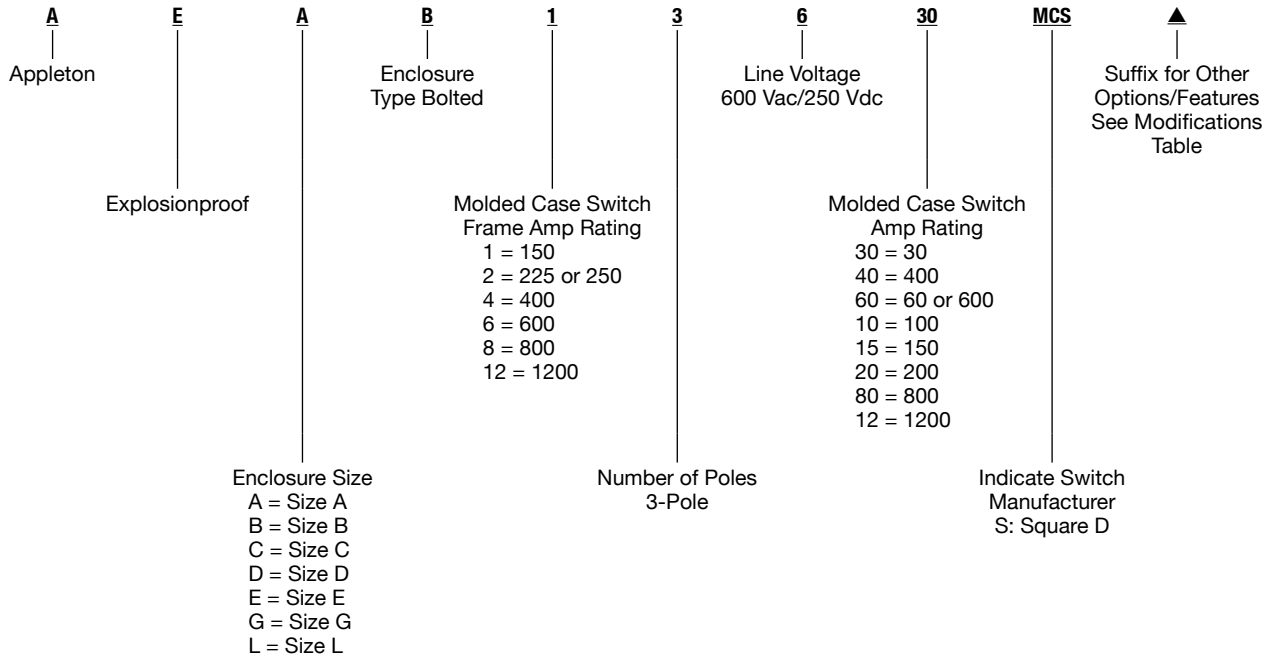
■ Square D is a registered trademark of Schneider Electric.

AE Bolted Molded Case Switch Enclosure

Explosionproof, Dust-Ignitionproof, Watertight

Class I, Division 1 and 2, Groups B, C, D
 Class II, Division 1 and 2, Groups E, F, G
 Class III
 NEMA 4, 4X, 7BCD, 9EFG

Catalog Numbering Guide



Molded Case Switch Frame Size	Molded Case Switch Type/ Interrupting Capacity	Volts	Amp Rating	Catalog Number 3 Pole	Standard Conduit Outlets (inches)
150	FHL 18,000 AIC @ 600 Vac (For higher interrupting capacities, consult factory)	600 Vac, 120/250 Vdc	30	AEAB13630MCS	1-1/2
			60	AEAB13660MCS	1-1/2
			100	AEBB13610MCS	2
			150	AEEB13615MCS	2-1/2
225	FHL 18,000 AIC @ 600 Vac (For higher interrupting capacities, consult factory)	600 Vac, 120/250 Vdc	225	AEEB23622MCS	3
250	KAL 22,000 AIC @ 600 Vac (For higher interrupting capacities, consult factory)	600 Vac, 120/250 Vdc	250	AEEB23625MCS	4
400	LAL 22,000 AIC @ 600 Vac (For higher interrupting capacities, consult factory)	600 Vac, 120/250 Vdc	400	AEEB43640MCS	4
600	LCL 35,000 AIC @ 600 Vac	600 Vac, 120/250 Vdc	600	AEDB63660MCS	4
800	MHL 25,000 AIC @ 600 Vac (For higher interrupting capacities, consult factory)	600 Vac, 120/250 Vdc	800	AELB83680MCS	(2) 4
1200 †	ND 25,000 AIC @ 600 Vac	600 Vac, 120/250 Vdc	800	AEGB123680MCS	(3) 4
			1200	AEGB123612MCS	(3) 4

† For 1200 Amp, consult factory.

AE Bolted Molded Case Switch Enclosure Modifications, Accessories and Ratings

Explosionproof, Dust-Ignitionproof, Watertight

Class I, Division 1 and 2, Groups B, C, D
Class II, Division 1 and 2, Groups E, F, G
Class III
NEMA 4, 4X, 7BCD, 9EFG

Modifications & Accessories

Factory-Installed Suffix	Description
AS1	Auxiliary switch (1A or 1B)
AS2	Auxiliary switch (2A or 2B)
BR	Breather, NEMA 4X (includes outlet & installation)
DN	Drain, NEMA 4X (includes outlet & installation)
EGS	External grounding stud
NP	Plastic nameplate, 2" x 4", 1/8" black letters on white surface, 3 lines max, specify legend.
ST	Shunt trip (specify voltage)
UV	Under voltage release (specify voltage)

For 1200 Amp, consult factory.

For 4-pole versions, consult factory.

AE Bolted Molded Case Switch Enclosure Dimensions

Explosionproof, Dust-Ignitionproof, Watertight

Diagram 1—Enclosure Layout for 50 – 250 Amp (Sizes: A – B – C – E)

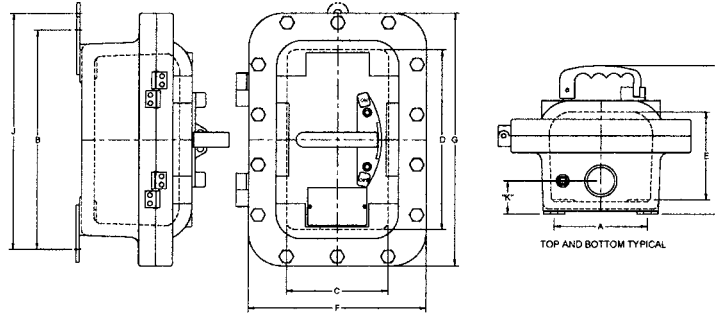
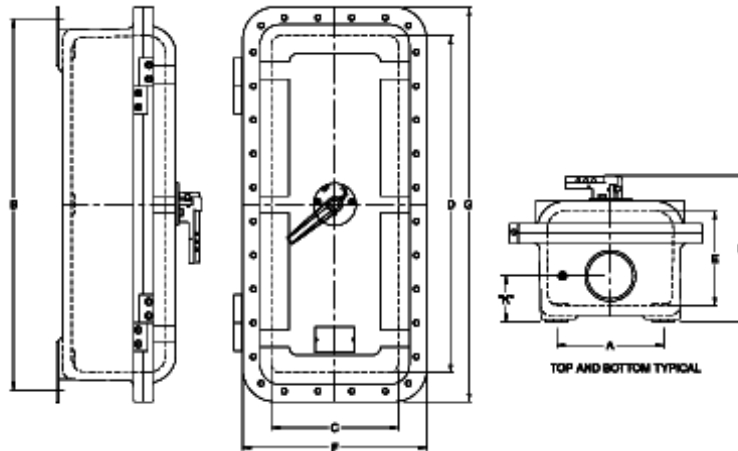


Diagram 2—Enclosure Layout for 400 – 600 Amp (Sizes: F – D)



Enclosure Only

Enclosure Size	Catalog Number	Dia. Number	Dimensions in Inches/Millimeters									Number of Outlets	K Dimension	Approximate Weight (lbs)
			Mounting			Inside			Outside					
			A	B	J	C	D	E	F	G	H			
A	AEAB	1	5.50/ 139.7	13.13/ 333.5	14.13/ 358.9	6.13/ 155.7	10.75/ 273.0	5.25/ 133.3	10.63/ 270.0	15.25/ 387.3	8.84/ 224.5	2	2.00/ 50.8	38
B	AEBB	1	6.00/ 152.4	18.00/ 457.2	19.00/ 782.6	6.50/ 165.1	16.00/ 406.4	5.50/ 139.7	11.00/ 279.4	20.50/ 520.7	8.97/ 227.8	2	2.31/ 58.6	57
C	AECB	1	10.25/ 260.3	22.63/ 574.8	n/a	11.38/ 289.0	20.00/ 508.0	6.38/ 162.0	6.38/ 162.0	25.13/ 638.3	9.59/ 243.5	2	3.50/ 88.9	104
E	AEEB	1	8.50/ 215.9	27.13/ 689.1	n/a	11.25/ 285.7	29.88/ 758.9	7.63/ 183.8	16.00/ 406.4	29.50/ 749.3	12.28/ 311.9	2	4.00/ 101.6	145
F	AEFB-250	1	9.50/ 241.3	27.25/ 692.1	n/a	11.25/ 285.7	29.88/ 758.9	8.06/ 204.7	16.38/ 416.0	35.00/ 889.0	12.34/ 313.4	2	4.19/ 106.4	170
F	AEFB-400	2	9.50/ 241.3	27.25/ 692.1	n/a	11.25/ 285.7	29.88/ 758.9	8.06/ 204.7	16.38/ 416.0	35.00/ 889.0	12.63/ 320.8	2	4.19/ 106.4	170
D	AEDB	2	16.13/ 409.7	40.75/ 1035.0	n/a	18.00/ 457.2	42.50/ 1079.5	7.63/ 193.8	13.63/ 346.2	37.88/ 962.1	12.81/ 325.3	2	4.31/ 109.4	228

AE Bolted Molded Case Switch Enclosure Dimensions

Explosionproof, Dust-Ignitionproof, Watertight

Diagram 3—Enclosure Layout for 800 Amp (Size: L)

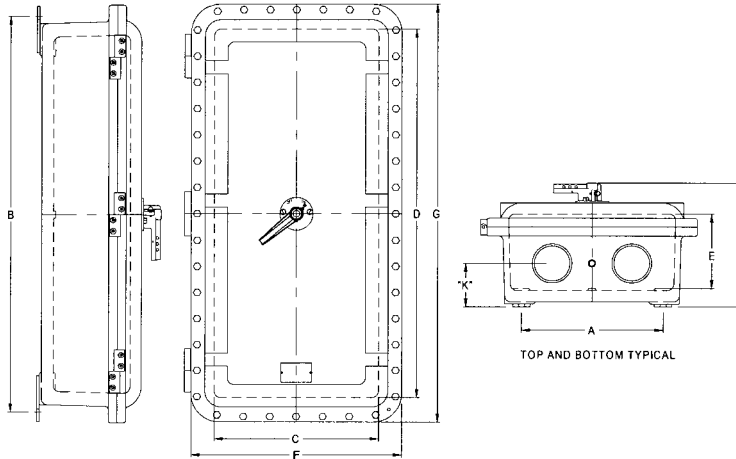
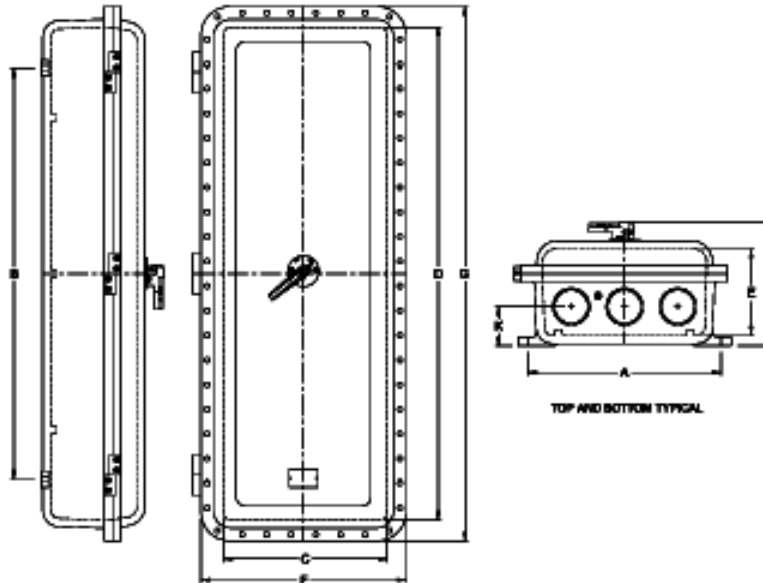


Diagram 4—Enclosure Layout for 1200 Amp (Size: G)



TUMBLER, DISCONNECT SWITCHES

N

Enclosure Only

Enclosure Size	Catalog Number	Dia. Number	Dimensions in Inches/Millimeters										Number of Outlets	K Dimension	Approximate Weight (lbs)
			Mounting			Inside			Outside						
			A	B	J	C	D	E	F	G	H				
L	AELB	3	16.00/ 406.4	45.38/ 1152.6	n/a	18.63/ 473.2	42.25/ 1073.1	8.50/ 215.9	23.88/ 606.5	47.88/ 1216.1	14.25/ 361.9	4	5.00/ 127.0	419	
G	AEGB	4	21.56/ 547.6	38.63/ 981.2	n/a	20.00/ 508.0	60.00/ 1524.0	10.00/ 254.0	25.00/ 635.0	65.00/ 1651	21.38/ 534.0	6	4.38/ 111.2	567	