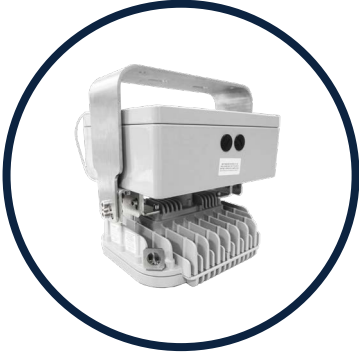




Dialight® LED Area Light - Battery Backup Models

Technical Specification Sheet - UL

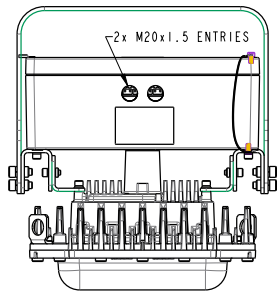
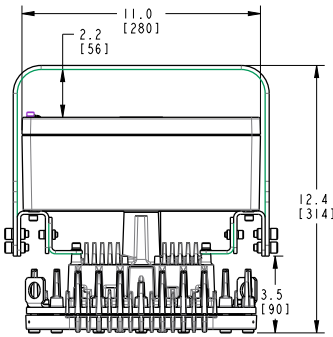
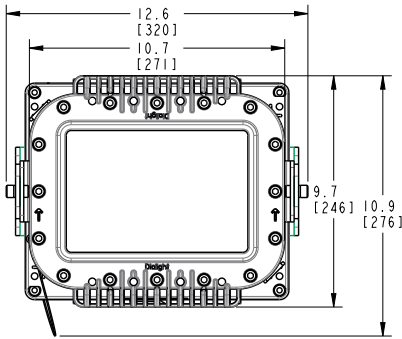
DuroSite® LED Area Light 120-277 VAC Battery Backup



Certifications & Ratings*

- 5 year warranty
- UL 1598/A
- CSA C22.2 No. 250
- IP66 / 67
- NEMA 4X
- Maintained or sustained modes selectable via jumper

*ETL listed



Dimensions in inches [mm]

Mechanical Information:

Fixture weight:	35 lb (15.9 kg) - Polycarbonate lens 37 lb (16.8 kg) - Tempered glass lens
Shipping weight:	Add 2 lb (0.91 kg) to weights above
Impact rating:	IK10 - Polycarbonate lens IK07 - Tempered glass lens
Wiring entries:	2xM20

Electrical Specifications:

Operating voltage:	120-277 VAC Battery Backup
Total system power consumption:	See table
Operating temperature:	-40°F to +149°F (-40°C to +65°C)
EMC:	FCC Title 47, Subpart B, Section 15, Class A device RF Immunity 20V/m 80MHz-1GHz.
Transient protection:	6 kV, 2 Ohm line-line and line-ground
Harmonics:	IEC 61000-3-2, Class C
THD:	< 20%
Power factor:	> 0.9
Construction:	
Housing:	Copper-free aluminum
Finish:	Superior dual coat finish - Sealed polyester topcoat - Epoxy primer
Lens:	Hard-coated polycarbonate Tempered glass

Photometric Information:

CRI:	75
CCT:	5000K (cool white)
Optics:	360° 180° forward throw for 45° mounting

All values typical unless otherwise stated (tolerance +/- 10%)

WARNING - INSTALLATION & SECONDARY RETENTION. Use of any Dialight products without proper installation (including secondary retention / netting) and periodic inspections could cause severe injury or death. Dialight recommends that all installations should use secondary retention / netting (appropriate to the installation environment) where applicable. It is the exclusive responsibility of the contractor, installer and/or end-user to: (a) determine the suitability of the product for its intended application; and, (b) ensure that the product is safely installed (with secondary retention / netting where appropriate) and in compliance with all applicable laws and regulations. To the extent permissible under applicable laws, Dialight disclaims all liability for personal injury and/or other damage resulting from any dislodgment or other dislocation of its products.

DuroSite® LED Area Light

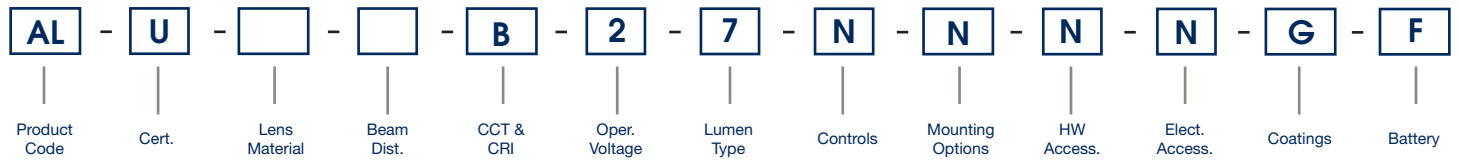
120-277 VAC Battery Backup



Project Information	
Part Number:	
Project:	
Fixture Type:	Date:

Specifications

Ordering Information



Product Code

AL Area Light

Certification

U UL 1598/A CSA 22.2 No. 250.0

Lens Material

5 Polycarbonate - Diffused

7 Glass - Clear

Beam Distribution

A 180°

B 360°

CCT & CRI

B Cool White 5000K - 70 CRI

Operating Voltage

2 100 - 277 VAC - Battery Backup

Lumen Type

7 6.1 - 7K

Controls

N No Options

Mounting Options

N 316 Stainless Steel Bracket

Hardware Accessories

N Factory Installed Junction Box

Electrical Accessories

N No Option

Coatings

G Gray (RAL 7040)

Battery

F 180 min.

DISCLAIMER. All product information provided is, to the best of Dialight's knowledge, accurate as of the date of publication. When ordering, refer to www.dialight.com for current versions of: (a) relevant product documentation (including the relevant product data sheets); (b) Dialight terms and conditions of sale; and, (c) the relevant product warranty. To the extent that any contract is deemed formed between Dialight and the purchaser of Dialight products and/or an end-user, versions of documents available at www.dialight.com as at the date of sale shall be the versions incorporated therein. In the event of any discrepancy between this document or information provided at www.dialight.com, the latter shall prevail.

Ordering Information

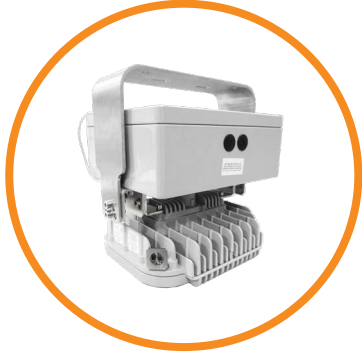
DuroSite® LED Area Light - 120-277 VAC Battery Backup



Battery Backup Model								
Part Number	Lumens	Wattage	lm/W	CCT	CRI	Lens	Beam Distribution	Mounting
ALU-7BB2-7NNN-NGF	7,500	85	88	CW	75	Glass	360°	Stainless Steel Bracket
ALU-5AB2-7NNN-NGF	7,200	85	85	CW	75	Polycarbonate	180°	Stainless Steel Bracket

See ordering chart for additional options.

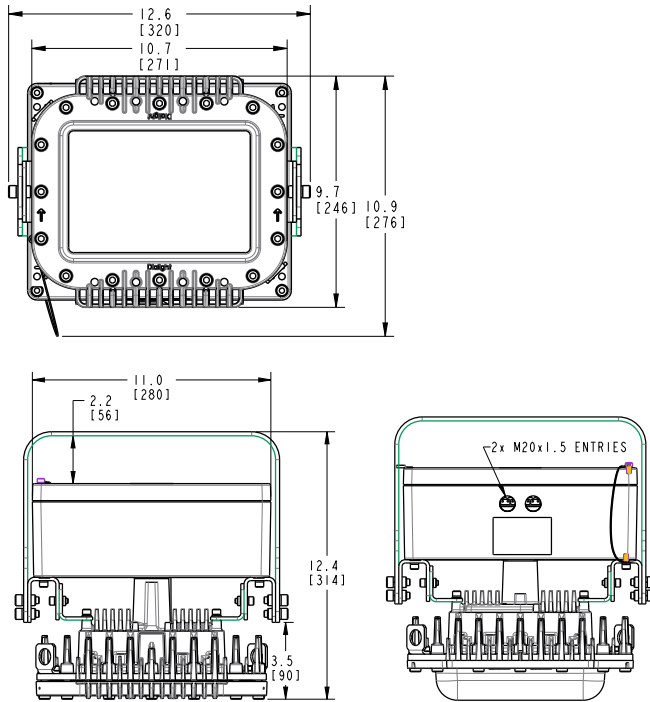
SafeSite® LED Area Light 120-277 VAC Battery Backup



Certifications & Ratings*

- 5 year warranty
- UL 844, UL 1598/A
- Class I, Div. 2, Groups A, B, C, D
- Class III, Div. 1 & 2
- CSA C22.2 No. 137-M81
- IP66 / 67
- NEMA 4X
- Maintained or sustained modes selectable via jumper

*ETL listed



Dimensions in inches [mm]

Additional dimensional drawings on pages 40-47

WARNING - INSTALLATION & SECONDARY RETENTION. Use of any Dialight products without proper installation (including secondary retention / netting) and periodic inspections could cause severe injury or death. Dialight recommends that all installations should use secondary retention / netting (appropriate to the installation environment) where applicable. It is the exclusive responsibility of the contractor, installer and/or end-user to: (a) determine the suitability of the product for its intended application; and, (b) ensure that the product is safely installed (with secondary retention / netting where appropriate) and in compliance with all applicable laws and regulations. To the extent permissible under applicable laws, Dialight disclaims all liability for personal injury and/or other damage resulting from any dislodgment or other dislocation of its products.

Mechanical Information:

Fixture weight:	35 lb (15.9 kg) - Polycarbonate lens 37 lb (16.8 kg) - Tempered glass lens
Shipping weight:	Add 2 lb (0.91 kg) to weights above
Impact rating:	IK10 - Polycarbonate lens IK07 - Tempered glass lens
Wiring entries:	2xM20

Electrical Specifications:

Operating voltage:	120-277 VAC Battery Backup
Total system power consumption:	See table
Operating temperature:	-40°F to +149°F (-40°C to +65°C)
EMC:	FCC Title 47, Subpart B, Section 15, Class A device RF Immunity 20V/m 80MHz-1GHz.
Transient protection:	6 kV, 2 Ohm line-line and line-ground
Harmonics:	IEC 61000-3-2, Class C
THD:	< 20%
Power factor:	> 0.9

Construction:

Housing:	Copper-free aluminum
Finish:	Superior dual coat finish - Sealed polyester topcoat - Epoxy primer
Lens:	Hard-coated polycarbonate Tempered glass

Photometric Information:

CRI:	75
CCT:	5000K (cool white)
Optics:	360° 180° forward throw for 45° mounting

All values typical unless otherwise stated (tolerance +/- 10%)

Temperature Ratings

Ambient Temperature Range T4A	Ambient Temperature Range T5
-40°F to +149°F (-40°C to +65°C)	-40°F to +113°F (-40°C to +45°C)

SafeSite® LED Area Light

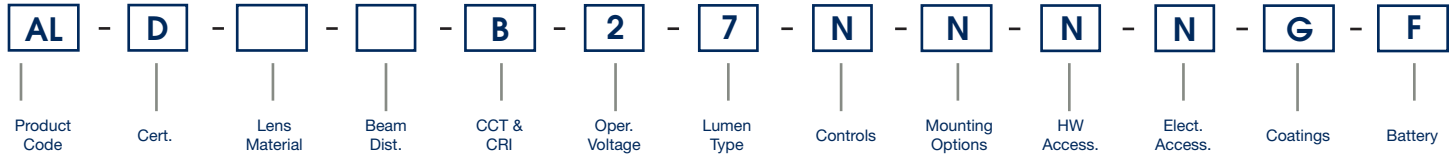
120-277 VAC Battery Backup



Project Information		
Part Number:		
Project:		
Fixture Type:		Date:

Specifications

Ordering Information



Product Code

AL Area Light

Certification

D UL 844 Class I Div. 2
CSA 22.2 No. 137 - M81

Lens Material

5 Polycarbonate - Diffused
7 Glass - Clear

Beam Distribution

A 180°
B 360°

CCT & CRI

B Cool White 5000K - 70 CRI

Operating Voltage

2 100 - 277 VAC - Battery Backup

Lumen Type

7 6.1 - 7K

Controls

N No Options

Mounting Options

N 316 Stainless Steel Bracket

Hardware Accessories

N Factory Installed Junction Box

Electrical Accessories

N No Option

Coatings

G Gray (RAL 7040)

Battery

F 180 min.

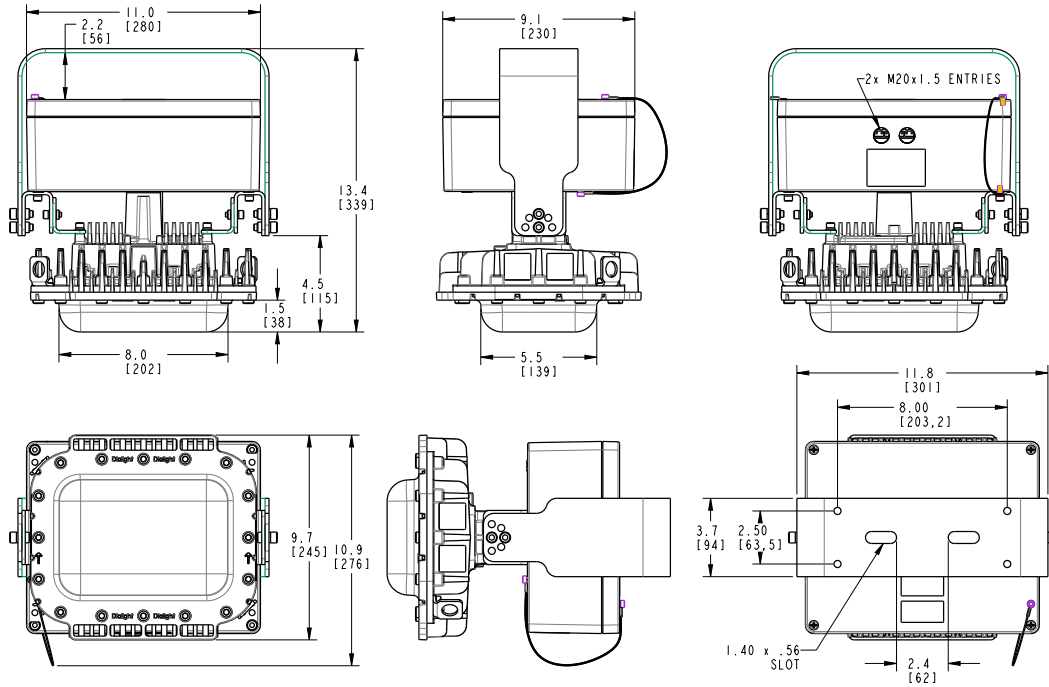
Battery Backup Model

Part Number	Lumens	Wattage	lm/W	CCT	Lens	Voltage	Beam Distribution	Mounting
ALD-5BB2-7NNN-NGF	7,500	85	88	CW	75	Polycarbonate	360°	Stainless Steel Bracket
ALD-7BB2-7NNN-NGF	7,500	85	88	CW	75	Glass	360°	Stainless Steel Bracket
ALD-5AB2-7NNN-NGF	7,200	85	85	CW	75	Polycarbonate	180°	Stainless Steel Bracket
ALD-7AB2-7NNN-NGF	7,200	85	85	CW	75	Glass	180°	Stainless Steel Bracket

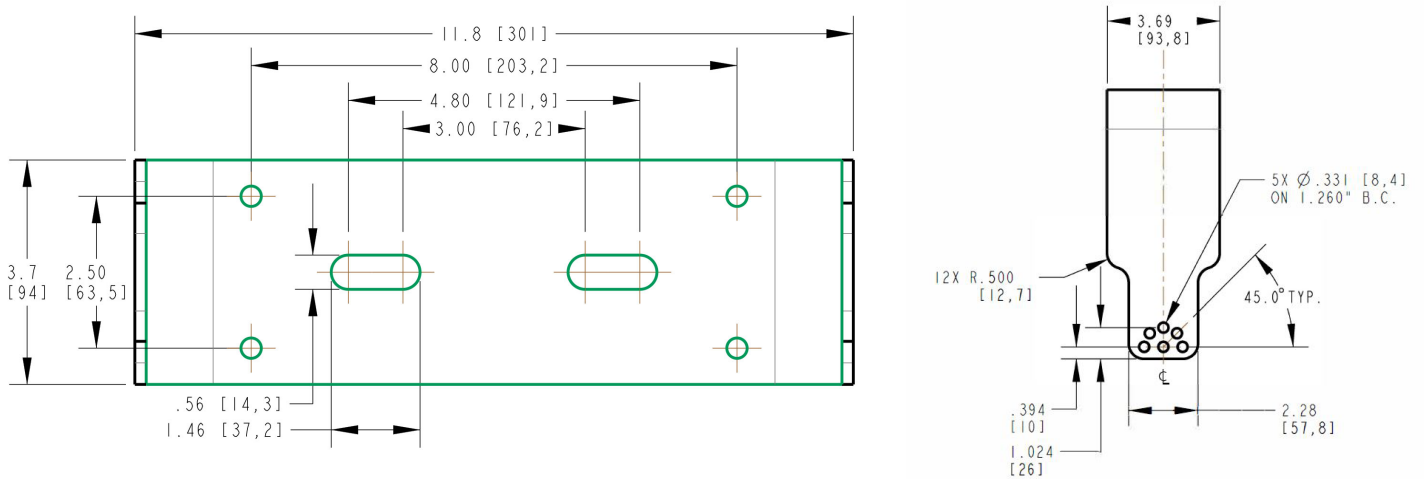
DISCLAIMER. All product information provided is, to the best of Dialight's knowledge, accurate as of the date of publication. When ordering, refer to www.dialight.com for current versions of: (a) relevant product documentation (including the relevant product data sheets); (b) Dialight terms and conditions of sale; and, (c) the relevant product warranty. To the extent that any contract is deemed formed between Dialight and the purchaser of Dialight products and/or an end-user, versions of documents available at www.dialight.com as at the date of sale shall be the versions incorporated therein. In the event of any discrepancy between this document or information provided at www.dialight.com, the latter shall prevail.

Dimensional Drawings

Battery Backup Model



Battery Backup model bracket



DISCLAIMER. All product information provided is, to the best of Dialight's knowledge, accurate as of the date of publication. When ordering, refer to www.dialight.com for current versions of: (a) relevant product documentation (including the relevant product data sheets); (b) Dialight terms and conditions of sale; and, (c) the relevant product warranty. To the extent that any contract is deemed formed between Dialight and the purchaser of Dialight products and/or an end-user, versions of documents available at www.dialight.com as at the date of sale shall be the versions incorporated therein. In the event of any discrepancy between this document or information provided at www.dialight.com, the latter shall prevail.

North American HQ

1501 Route 34 South
Farmingdale, NJ 07727
Tel: 732-919-3119
Fax: 732-751-5778
info@dialight.com

EMEA Technical Centre

Ejby Industrivej 91 B
2600 Glostrup
Tel: +45 8877 4545 (Denmark)
Tel: +44 1638 666541 (UK)
Tel: +49 89 12089 5713 (Germany)
Tel: +33 3 23 22 62 58 (France)
sales-europe@dialight.com

Houston

16830 Barker Springs Rd
Ste 407
Houston, TX 77084
Tel: 732-919-3119
Fax: 281-492-1531
info@dialight.com

Middle East

205, Clover Bay Tower,
Al Abraj Street, Business Bay
P.O. Box 123997 Dubai, U.A.E.
Tel: +971 (4) 818 31 56

Australia

108 Howe Street
Osborne Park, WA 6017
Tel: +61 (0) 8 9244 7600
Fax: +61 (0) 8 9244 7601
info@dialight.com.au

Southeast Asia

33 Ubi Avenue 3
#07-72 Vertex (Tower A)
Singapore 408868
Tel: +65 6578 7157
Fax: +65 6578 7150
enquiry@dialight.com.sg

Brazil

Alameda Mercurio,
225 – American Park Empresarial NR
Indaiatuba – SP – 13347– 662
Tel: +55 (19) 3113-4300
Fax: +55 (19) 3113-4300
brasil@dialight.com

WARNING / DISCLAIMERS:

Installation & secondary retention. The use of this product without proper installation (including secondary retention / netting) and periodic inspections, could cause severe injury or death. Dialight recommends that all installations should use secondary retention / netting (appropriate to the installation environment) as applicable. Dialight products are intended for ultimate purchase, installation and operation by knowledgeable persons trained in the functional assessment, installation, use and maintenance of such products and all customers (including but not limited to end customers) are responsible for assessing the suitability of Dialight products for any given installation requirement. It is the exclusive responsibility of the contractor, installer and/or end-user to: (a) determine the suitability of the product for its intended application; and, (b) ensure that the product is safely installed (with secondary retention / netting as appropriate) and in compliance with all applicable laws and regulations.

Product specifications & warranties. All product information provided is, to the best of Dialight's knowledge, accurate as of the date of publication. All values and performance data herein are design or typical values when measured under laboratory conditions. The information herein is subject to change without notice. The products / software detailed herein are subject to applicable warranties and terms and conditions of use/purchase. Unless agreed otherwise in writing by an authorized representative of Dialight, Dialight does not represent that its products are fit for any particular purpose and accepts no liability for the installation and/or unauthorised use of its products. When ordering, refer to www.dialight.com for current versions of: (a) relevant product documentation (including relevant product data sheets); (b) Dialight terms and conditions of sale; and, (c) the relevant product warranties. To the extent that any contract is deemed formed between Dialight and the purchaser of Dialight products and/or an end-user, versions of documents available at www.dialight.com as at the date of sale shall be the versions incorporated therein. In the event of any discrepancy between this document and information provided at www.dialight.com, the latter shall prevail.

Exclusion of liability. To the extent permissible under the relevant law, Dialight disclaims all liability for personal injury and/or other damage resulting from any dislodgment or other dislocation of its products. Whilst Dialight has used its reasonable endeavours to ensure the completeness and accuracy of information herein, Dialight does not assume any liability for damages resulting from use of this information or for any third-party representations made in relation to Dialight products.